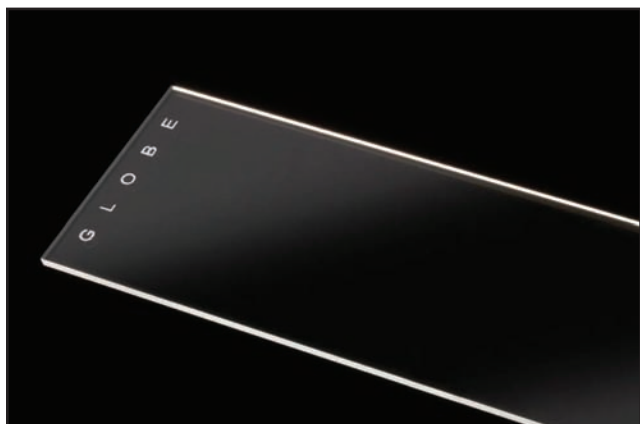


## White Glass Microscope Slides, 90° Corners, Ground Edges

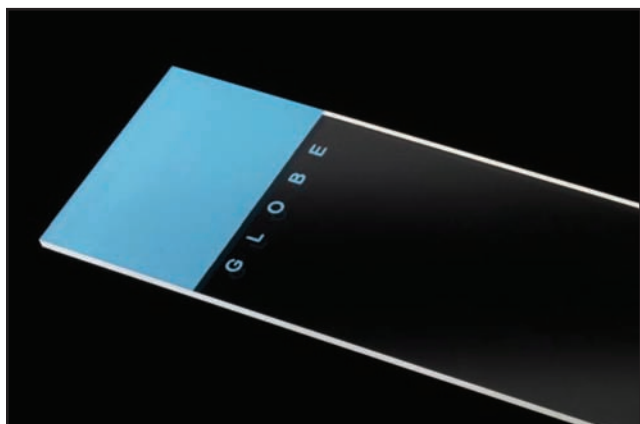
Item# 1380-10 / 1380-20 / 1380-30 / 1380-50A, 1380-50B, 1380-50D, 1380-50G, 1380-50L 1380-50N, 1380-50P, 1380-50T, 1380-50W, 1380-50Y



1380-10 - Plain slide



1380-20 - Frosted slide



1380-50B - Blue color coded slide

### Description

Globe Scientific's Diamond White Glass microscope slides are produced from superior quality white glass and provide exceptional clarity, low self-fluorescence and uniform thickness. The glass is formulated for minimal oxidation, which ensures sample integrity during long-term storage. This top quality line is designed for the most demanding applications.

### Features

- Produced from the finest quality optical white glass
- Packed in high-quality plastic boxes
- All slides are pre-cleaned and ready to use
- Available plain, frosted and color coded
- 90° corners, ground edges
- Dimensions: 25mm x 75mm (±0.5mm)
- Thickness: 1.1mm

### Packaging:

- 72/plastic box, 20 boxes/case (10 gross)



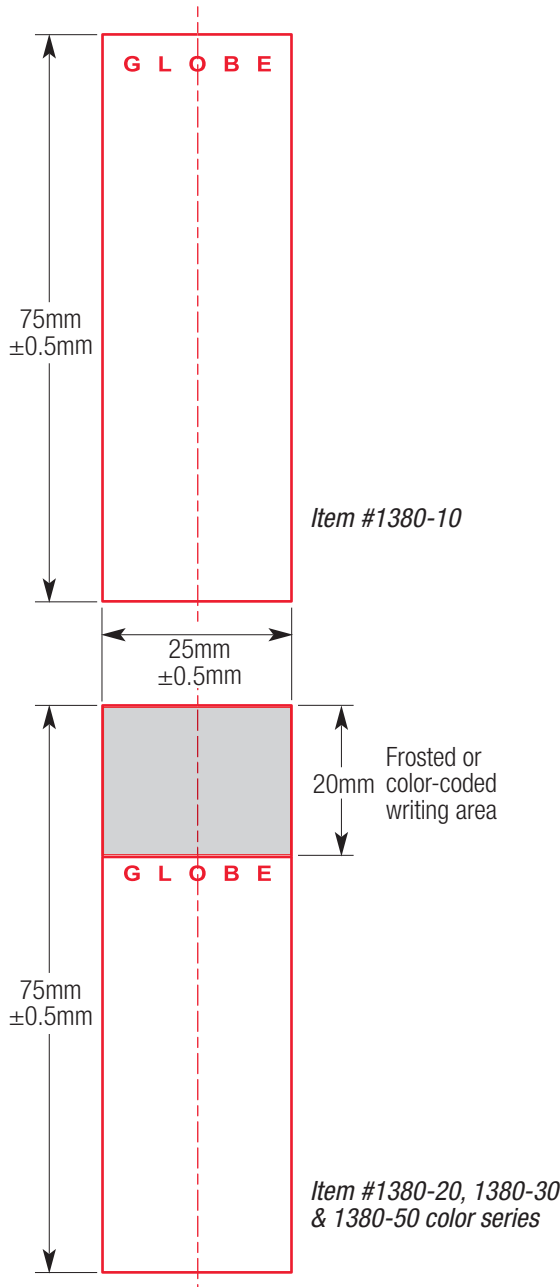
### Products

Item#	Description	Unit
1380-10	Plain	1440
1380-20	Frosted 1 end, 1 side	1440
1380-30	Frosted 1 end, 2 sides	1440
1380-50A*	Frosted, aqua	1440
1380-50B	Frosted, blue	1440
1380-50D*	Frosted, gold	1440
1380-50G	Frosted, green	1440
1380-50L	Frosted, lilac	1440
1380-50N	Frosted, orange	1440
1380-50P	Frosted, pink	1440
1380-50T*	Frosted, tan	1440
1380-50W	Frosted, white	1440
1380-50Y	Frosted, yellow	1440

\*Available by special order.

## White Glass Microscope Slides, 90° Corners, Ground Edges

Item# 1380-10 / 1380-20 / 1380-30 / 1380-50A, 1380-50B, 1380-50D, 1380-50G, 1380-50L 1380-50N, 1380-50P, 1380-50T, 1380-50W, 1380-50Y



### Technical Specifications

#### Dimensions:

Width: 25mm (±0.5mm)

Length: 75mm (±0.5mm)

Thickness: 1.1mm

#### Chemical Composition: Substance by Weight(%)

Silicon Dioxide, SiO<sub>2</sub>: 72.87

Sodium Oxide, Na<sub>2</sub>O: 13.64

Potassium Oxide, K<sub>2</sub>O: 1.51

Calcium Oxide, CaO: 6.44

Magnesium Oxide, MgO: 3.68

Aluminum Oxide, Al<sub>2</sub>O<sub>3</sub>: 1.27

Ferric Oxide, Fe<sub>2</sub>O<sub>3</sub>: 0.015

Sulfur Trioxide, SO<sub>3</sub>: 0.15

#### Physical and Chemical Properties:

Thermal Coefficient of Expansion: (30°C~300°C) 9.03×10<sup>-6</sup>/°C

Softening Point: 743.0°C

Annealing Range: 567.2°C

Strain Point: 522.1°C

Density: 2.4336 g/cm<sup>3</sup>

#### Stability and Reactivity:

Stability: Stable

Hydrolytic Resistance: Hydrolytic Class-HGB3 (ISO 719 or GB/T 6582)

Acid Resistance: Acid Class-H2 (DIN 12 116 or GB/T 15728)

Alkali Resistance: Alkali Class-A2 (DIN ISO 695 or GB/T 6580)

Hazardous Decomposition: Stable

Materials to Avoid: Strong Hot Alkali Solutions (Hydrofluoric, Fluosilicic and Phosphoric)



#### Customer service, sales and technical support:

Phone 1 (800) 394-4562 • 1 (201) 599-1400

Fax 1 (201) 599-1406

E-mail [mail@globescientific.com](mailto:mail@globescientific.com)

#### Globe Scientific Inc.

400 Corporate Drive • Mahwah NJ 07430

[www.globescientific.com](http://www.globescientific.com)